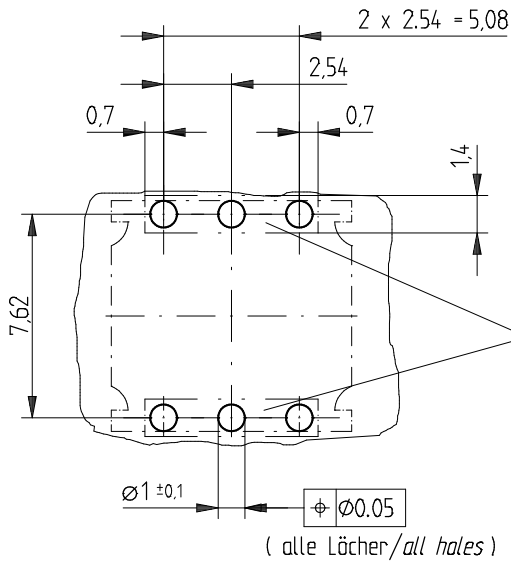


Leiterplattenbohrbild
PCB drillhole pattern



214788	M4
214801	M3
214802	6-32UNC
214803	8-32UNC
Ident-Nr. Part No.	Gewinde thread

Information: All rights reserved. Only for information. To insure that this is the latest version of this drawing, please contact one of the ERNI companies before using.	Tolerances All Dimensions in mm	Scale 5:1	
	Subject to modification without prior notice. Drawing will not be updated.	Designation SVA 6-polig TL Power Bug 6pin TL	
b Index	10.05.2006 Date	www.ERNI.com	204821 EPSVA
Consider protection memo from DIN 34		C:00057475.SZA	I