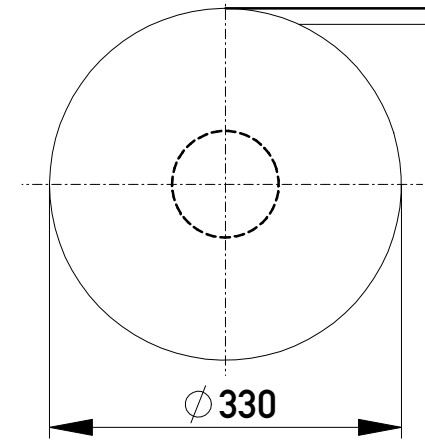
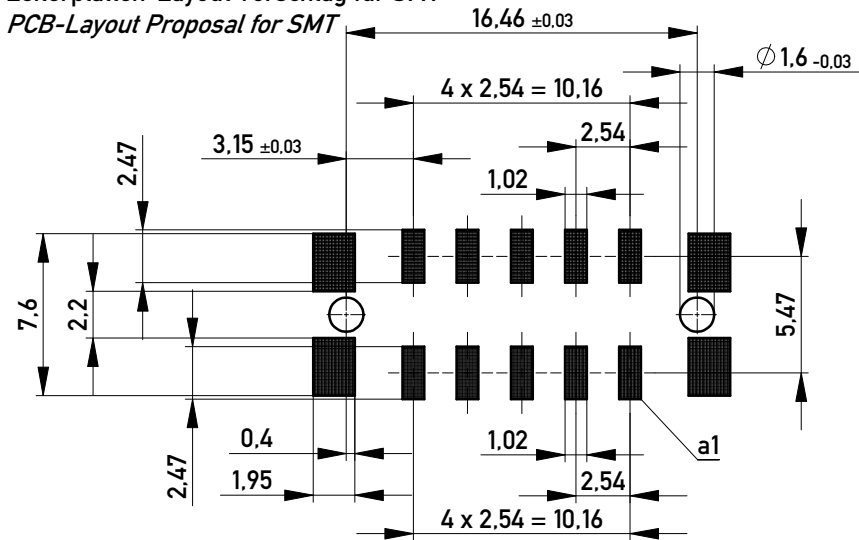


Verpackt in Gurtverpackung
Tape on Reel Packaging
Verpackungseinheit: 320 Stück
Packaging unit: 320 pcs



Leiterplatten-Layout Vorschlag für SMT
PCB-Layout Proposal for SMT



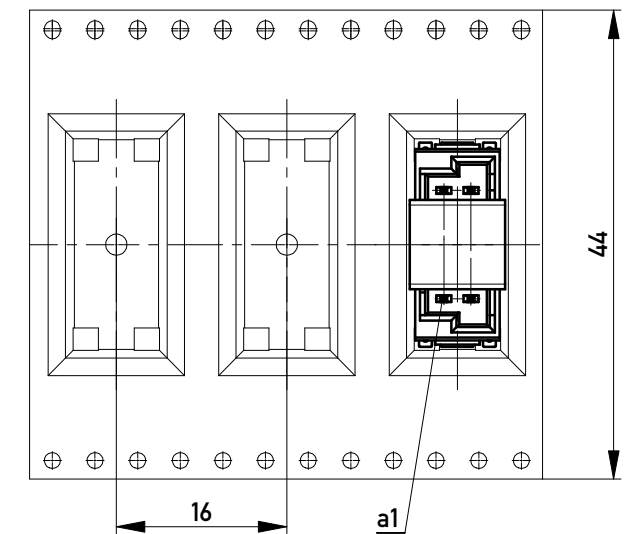
Anforderungsstufe 1
Performance Level 1

Kontaktbereich vergoldet
Mating Area gold plating

Anschlussbereich verzinkt 4-6 µm
Terminal Area 4-6 µm tin plating

Koplanarität der Anschlüsse ≤ 0,1 mm
Coplanarity Area of Termination ≤ 0,1 mm

Abspulrichtung - Reel off Direction



474009		rot red	3.9	0.9	4.5	0.3	
474008		grün green	2.7	2.1	3.3	1.5	
474007		blau blue	1.5	3.3	2.1	2.7	
474006		schwarz black	0.3	4.5	0.9	3.9	
Ident-Nr. part-no.	Codierung coding	Farbe color	A	B	C	D	Bemerkung note

für höhere Spannungsfestigkeit
for higher voltage proof

Information: All rights reserved. Only for Information. To ensure that this is the latest version of this drawing, please contact one of the ERNI companies before using.	Tolerances All Dimensions in mm	Scale 3:1	Designation M 2.54 DRC-Q, 10-polig	
		Subject to modification without prior notice. Drawing will not be updated.		324228
a	27.11.2013		www.ERNI.com	I A3
Index	Date		Class	DRCQ

Copyright by ERNI GmbH
Proprietary notice pursuant to ISO 16016 to be observed.