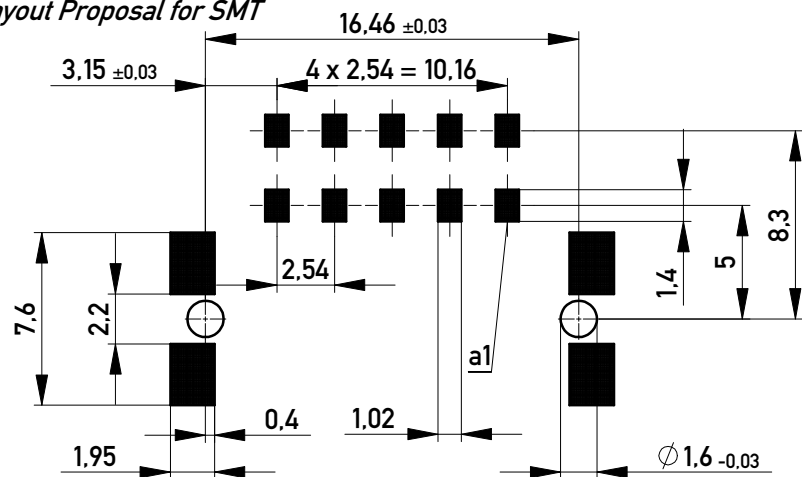


Leiterplatten-Layout Vorschlag für SMT  
PCB-Layout Proposal for SMT



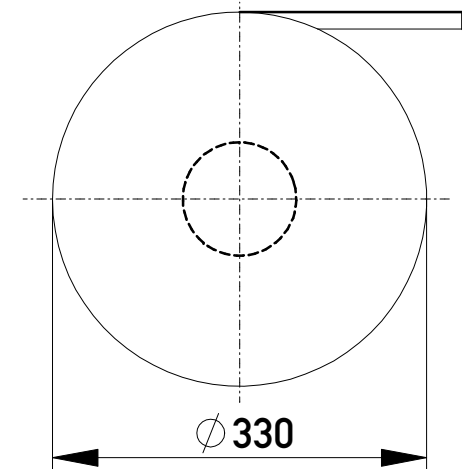
Anforderungsstufe 1  
Performance Level 1

Kontaktbereich vergoldet  
Mating Area gold plating

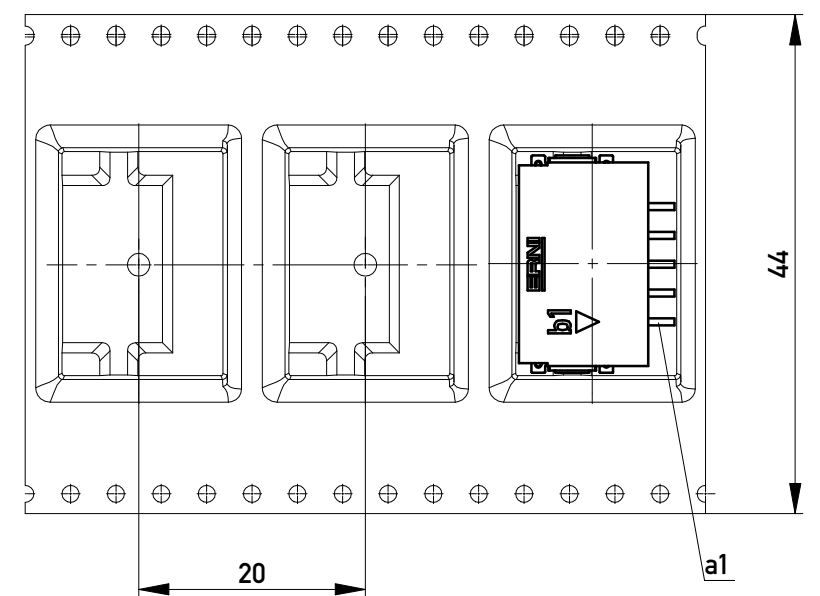
Anschlussbereich verzinnt 4-6 µm  
Terminal Area 4-6 µm tin plating

Koplanarität der Anschlüsse ≤ 0,1 mm  
Coplanarity Area of Termination ≤ 0,1 mm

Verpackt in Gurtverpackung  
Tape on Reel Packaging  
Verpackungseinheit: 380 Stück  
Packaging unit: 380 pcs



Abspulrichtung - Reel off Direction



474019		rot red	3.9	0.9	4.5	0.3	
474018		grün green	2.7	2.1	3.3	1.5	
474017		blau blue	1.5	3.3	2.1	2.7	
474016		schwarz black	0.3	4.5	0.9	3.9	
Ident-Nr. part-no.	Codierung coding	Farbe color	A	B	C	D	Bemerkung note

Copyright by ERNI GmbH  
Proprietary notice pursuant to ISO 16016 to be observed.

Information:	Tolerances		Scale	3:1
All rights reserved. Only for Information. To ensure that this is the latest version of this drawing, please contact one of the ERNI companies before using.	Subject to modification without prior notice. Drawing will not be updated.	All Dimensions in mm	Designation	M 2,54 DRC-B, 10-polig
a	27.11.2013		www.ERNI.com	324229
Index	Date			1 A3
			Class	DRCB