

Kabelaufbau
cable assembly

Querschnitt
cross section AWG 26 / 7 / 0,14mm²

Leiter
conductor Cu-Litze verzinkt 7 x 0,16mm
stranded Cu wire tinned

Randader/Kennader
edge marking rot nach DIN 57207 / VDE 0207
red complying to DIN 57207 / VDE 0207

Isolierung
insulation PVC, grau / grey, RAL 7032, Y18
Wandstärke / wall thickness: min. 0,178mm

Elektrische Werte
electricity

Betriebsspannung
voltage rating 300 V max.

Prüfspannung
test voltage 2000 V eff. / 50Hz 1Minute

Leiterwiderstand
conductor resistance ≤ 135 Ω / km bei 20°C
≤ 135 Ω / km at 20°C

Isolationswiderstand
insulation resistance ≥ 20 MΩ x km bei 20°C
≥ 20 MΩ x km at 20°C

zul. Dauerstrom
current rating 2,8 A / 20°C

Kapazität bei 1 KHz
capacitance at 1 KHz Masse-Signal-Masse ≤ 60pF/m
ground-signal-ground

Induktivität bei 10 kHz
inductance at 10 kHz Masse-Signal-Masse 0,9 µH / m
ground-signal-ground

Wellenwiderstand
impedance Masse-Signal-Masse 100 Ω
ground-signal-ground

Übersprechen %
cross talk Kabellänge: 3m NE 5,4 / FE 6,8
cable length: 3m

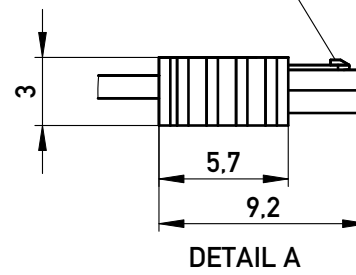
Laufzeitverzögerung
propagation delay Masse-Signal-Masse 4,6 nsec / m
ground-signal-ground

Mechanische Werte
mechanical

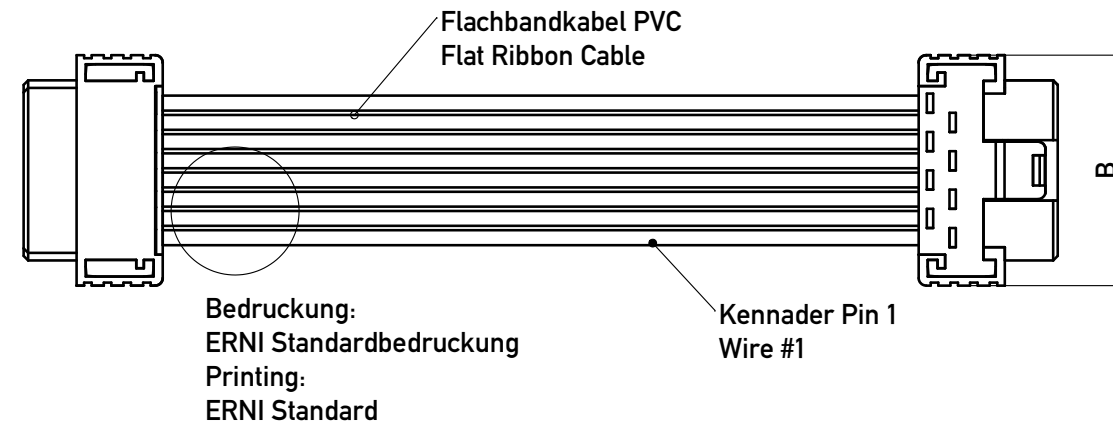
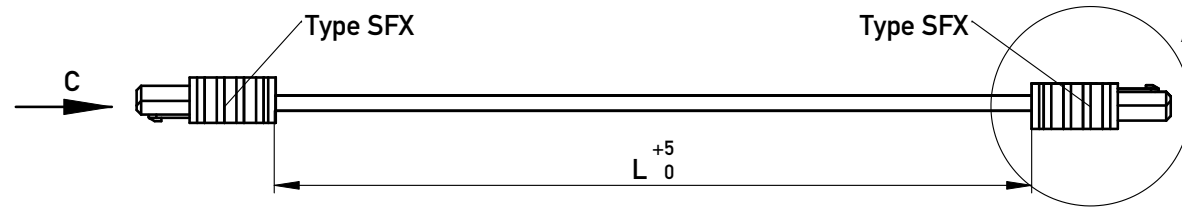
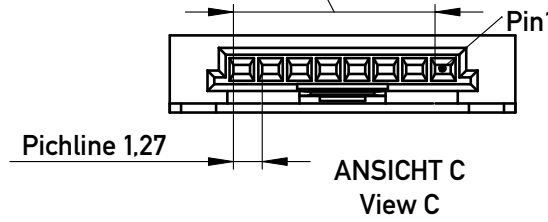
Betriebstemperatur
operating temperature ruhender Zustand *static* -20°C ... +105°C
bewegter Zustand *flex* -----

Kältebeständigkeit
low temperature resistance -55°C nach MIL-W 16878 E
-55°C complying to MIL-W 16878 E

Friction Lock
Stecker ohne Werkzeug lösbar
Unlockable without any item



N= Anzahl Pin / No of Pin



Artikel Part No.	L	N	B	Product- Code
839010	100	2	7,62	IDCCS_SRC_1.27_02_SFX_SFX_100_PVC
839013	100	3	8,89	IDCCS_SRC_1.27_03_SFX_SFX_100_PVC
839016	100	4	10,16	IDCCS_SRC_1.27_04_SFX_SFX_100_PVC
839019	100	6	12,7	IDCCS_SRC_1.27_06_SFX_SFX_100_PVC
839022	100	8	15,24	IDCCS_SRC_1.27_08_SFX_SFX_100_PVC
839162	100	10	17,78	IDCCS_SRC_1.27_10_SFX_SFX_100_PVC
839165	100	12	20,32	IDCCS_SRC_1.27_12_SFX_SFX_100_PVC
839011	200	2	7,62	IDCCS_SRC_1.27_02_SFX_SFX_200_PVC
839014	200	3	8,89	IDCCS_SRC_1.27_03_SFX_SFX_200_PVC
839017	200	4	10,16	IDCCS_SRC_1.27_04_SFX_SFX_200_PVC
839020	200	6	12,7	IDCCS_SRC_1.27_06_SFX_SFX_200_PVC
839023	200	8	15,24	IDCCS_SRC_1.27_08_SFX_SFX_200_PVC
839163	200	10	17,78	IDCCS_SRC_1.27_10_SFX_SFX_200_PVC
839166	200	12	20,32	IDCCS_SRC_1.27_12_SFX_SFX_200_PVC
839012	300	2	7,62	IDCCS_SRC_1.27_02_SFX_SFX_300_PVC
839015	300	3	8,89	IDCCS_SRC_1.27_03_SFX_SFX_300_PVC
839018	300	4	10,16	IDCCS_SRC_1.27_04_SFX_SFX_300_PVC
839021	300	6	12,7	IDCCS_SRC_1.27_06_SFX_SFX_300_PVC
839024	300	8	15,24	IDCCS_SRC_1.27_08_SFX_SFX_300_PVC
839164	300	10	17,78	IDCCS_SRC_1.27_10_SFX_SFX_300_PVC
839167	300	12	20,32	IDCCS_SRC_1.27_12_SFX_SFX_300_PVC

Information:		Tolerances	Scale 2:1
All rights reserved. Only for Information. To ensure that this is the latest version of this drawing, please contact one of the ERNI companies before using.		 All Dimensions in mm	Designation MiniBridge Kabelkonfektionen MiniBridge Cable Assemblies Sammelzeichnung Collection Drawing
www.ERNI.com		839002	
c	14.04.2010	i	
Index	Date	A3	
		Class	

Copyright by ERNI GmbH
Proprietary notice pursuant to ISO 16016 to be observed.