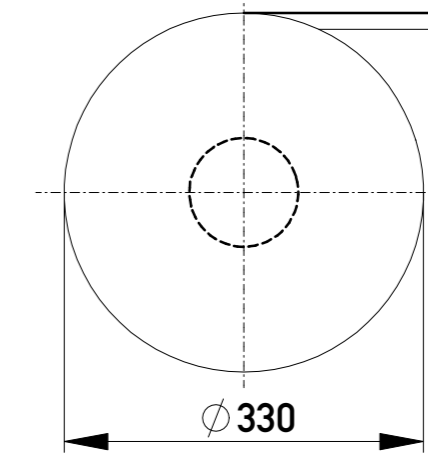
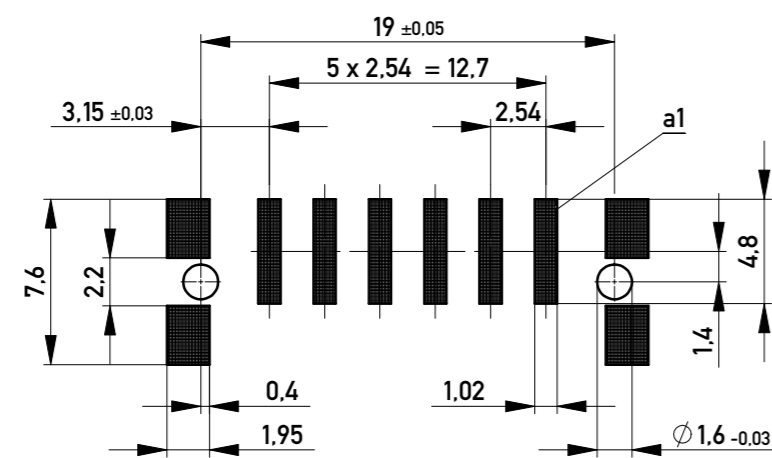


Verpackt in Gurtverpackung
 Tape on Reel Packaging
 Verpackungseinheit: 320 Stück
 Packaging unit: 320 pcs



Leiterplatten-Layout Vorschlag für SMT
 PCB-Layout Proposal for SMT



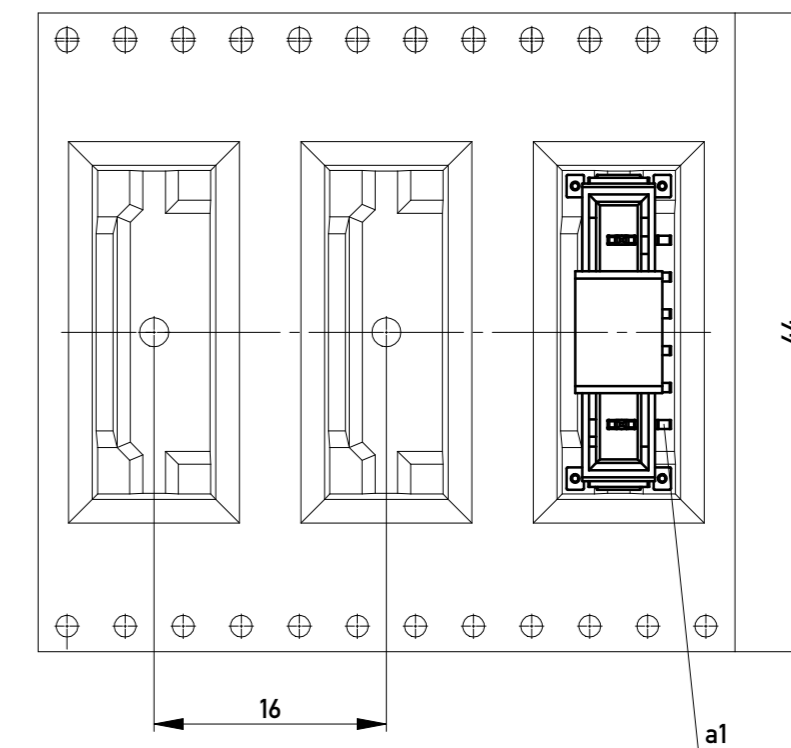
Anforderungsstufe 1
 Performance Level 1

Kontaktbereich vergoldet
 Mating Area gold plating

Anschlussbereich verzinkt 4-6 µm
 Terminal Area 4-6 µm tin plating

Koplanarität der Anschlüsse ≤ 0.1 mm
 Coplanarity Area of Termination ≤ 0.1 mm

Abspulrichtung - Reel off Direction



454209		weiß white					Codierung wie Variante schwarz Encoding such variant black
254710		rot red	4.2	3.0	4.8	2.4	
254709		grün green	3.0	4.2	3.6	3.6	
254708		blau blue	1.8	5.4	2.4	4.8	
254707		schwarz black	0.6	6.6	1.2	6.0	
Ident-Nr. part-no.	Codierung coding	Farbe color	A	B	C	D	Bemerkung note

Information:	Tolerances	Scale 3:1	
All rights reserved. Only for Information. To ensure that this is the latest version of this drawing, please contact one of the ERNI companies before using.	All Dimensions in mm	Designation	M 2.54 SRC-P. 6-polig
h	30.04.2013	www.ERNI.com	224915
Index	Date	Class	SRCP